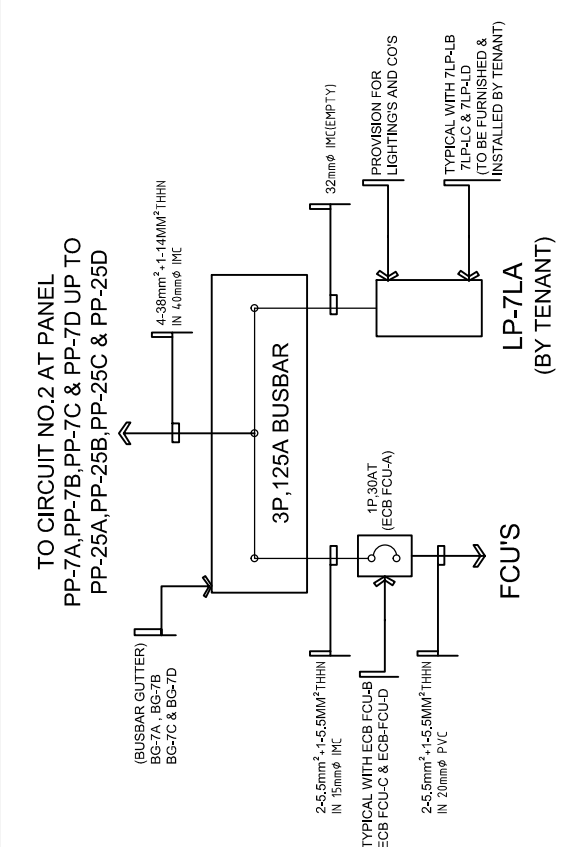


NOTES:
F-9 & F-7 ARE REDUNDANT BUSWAY RISERS AND SHALL BE USED ONLY DURING MAINTENANCE OF THE MAIN BUSWAY RISERS (F-15 & F-16)

BUSWAY SCHEDULE:

LEGEND	DESCRIPTION
F-1	5000 A, 3Ø, 4-CONDUCTOR WITH 50% INTERNAL GROUND ALUMINUM BUSWAY
F-2	5000 A, 3Ø, 4-CONDUCTOR WITH 50% INTERNAL GROUND ALUMINUM BUSWAY
F-3	4000 A, 3Ø, 4-CONDUCTOR WITH 50% INTERNAL GROUND ALUMINUM BUSWAY
F-4	4000 A, 3Ø, 4-CONDUCTOR WITH 50% INTERNAL GROUND ALUMINUM BUSWAY
F-5	4000 A, 3Ø, 4-CONDUCTOR WITH 50% INTERNAL GROUND ALUMINUM BUSWAY
F-6	4000 A, 3Ø, 4-CONDUCTOR WITH 50% INTERNAL GROUND ALUMINUM BUSWAY
F-7	4000 A, 3Ø, 4-CONDUCTOR WITH 50% INTERNAL GROUND ALUMINUM BUSWAY
F-8	4000 A, 3Ø, 4-CONDUCTOR WITH 50% INTERNAL GROUND ALUMINUM BUSWAY
F-9	4000 A, 3Ø, 4-CONDUCTOR WITH 50% INTERNAL GROUND ALUMINUM BUSWAY
F-10	5000 A, 3Ø, 4-CONDUCTOR WITH 50% INTERNAL GROUND ALUMINUM BUSWAY
F-11	5000 A, 3Ø, 4-CONDUCTOR WITH 50% INTERNAL GROUND ALUMINUM BUSWAY
F-12	4000 A, 3Ø, 4-CONDUCTOR WITH 50% INTERNAL GROUND ALUMINUM BUSWAY
F-13	4000 A, 3Ø, 4-CONDUCTOR WITH 50% INTERNAL GROUND ALUMINUM BUSWAY
F-14	4000 A, 3Ø, 4-CONDUCTOR WITH 50% INTERNAL GROUND ALUMINUM BUSWAY
F-15	4000 A, 3Ø, 4-CONDUCTOR WITH 50% INTERNAL GROUND ALUMINUM BUSWAY
F-16	4000 A, 3Ø, 4-CONDUCTOR WITH 50% INTERNAL GROUND ALUMINUM BUSWAY
F-17	4000 A, 3Ø, 4-CONDUCTOR WITH 50% INTERNAL GROUND ALUMINUM BUSWAY



1 PARTIAL ONE-LINE POWER RISER DIAGRAM (9TH FLR TO 15TH FLR)

SCALE: E-04

N.T.S.

OWNER/CLIENT:

Eton Properties Philippines, Inc.
 8/F ALLIED BANK CENTER, 6754 AYALA AVE. COR. LEGASPI ST. MAKATI CITY

CONSULTANT: ARCHITECTURAL

EDLEA Engineering Consultancy
 Rm 103, Mezzanine Floor, VIR Building
 1840 E. Rodriguez Sr. Ave., Cubao, Q.C.
 Tel Fax : 7232951
 Email : edlea.espinosa@yahoo.com

PROJECT TITLE:
ETON CYBERPOD CENTRIS 5
 ETON CENTRIS, EDSA COR. QUEZON AVE. QUEZON CITY, PHILIPPINES

GENERAL CONTRACTOR:

DATEM
 YOUR TRUSTED BUILDER
 99 MINDANAO AVENUE, BAHAY TORO, QUEZON CITY (TEL.: 8923 2836 FAX.: 8453 0156)

SCALE: AS SHOWN
 REVISION: -
 CAD BY: MJ DAYAG
 CHECKED BY: -
 DATE: OCTOBER 02 2019

SHEET CONTENT:
AS-BUILT

SHEET NO:
E-04
 REF. DWG: