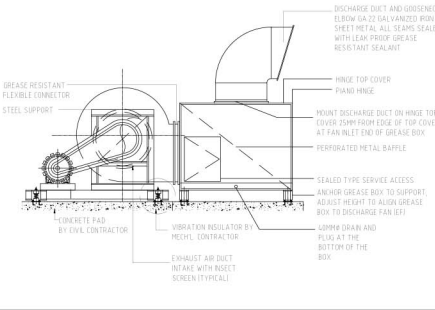


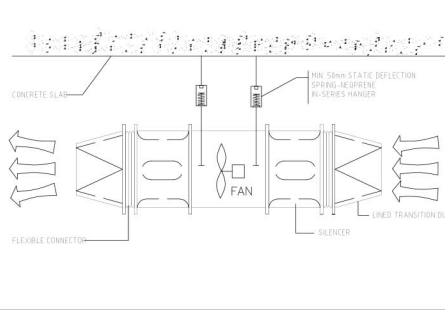
NOTE: PURSUANT TO SECTION 4 OF ANNEX "A" OF THE REVISED IMPLEMENTING RULES AND REGULATIONS OF R.A. 9164, APPROVED BY THE AUTHORIZED DPWH OFFICIALS OF DETAILED ENGINEERING SURVEYS AND DESIGN UNDERTAKEN BY CONSULTANTS NEITHER DIMINISHES THE RESPONSIBILITY OF THE LATTER FOR THE TECHNICAL INTEGRITY OF THE SURVEYS AND DESIGN NOR TRANSFER ANY PART OF THAT RESPONSIBILITY TO THE APPROVING OFFICIALS.

THE DESIGN CONSULTANT SHALL BE HELD RESPONSIBLE FOR THE FAILURE OF THE FACILITIES / STRUCTURES DUE TO FAULTY DESIGN EXCEPT FOR THE CHANGES MADE WITHOUT THE CONFORMITY OF THE CONSULTANTS.

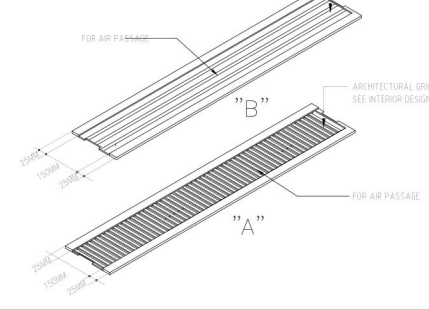
DRAWINGS AND SPECIFICATIONS DULY SIGNED, STAMPED OR SEALED, AS INSTRUMENTS OF SERVICE ARE PROPERTY AND DOCUMENTS OF THE ARCHITECT, WHETHER THE OBJECT FOR WHICH THEY ARE MADE IS EXECUTED OR NOT. IT SHALL BE UNLAWFUL FOR ANY PERSON, WITHOUT THE WRITTEN CONSENT OF THE ARCHITECT OR AUTHOR OF SAID DOCUMENTS, TO DUPLICATE OR TO MAKE COPIES OF SAID DOCUMENTS FOR USE IN THE REPEITION OF AND FOR OTHER PROJECTS OR BUILDINGS, WHETHER EXECUTED PARTLY OR IN WHOLE.



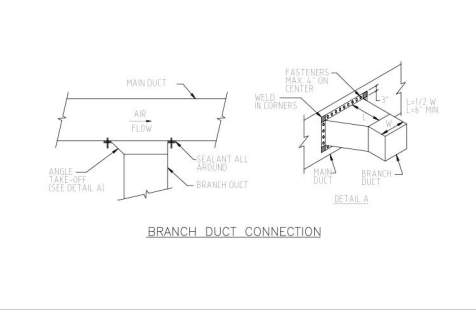
1 KITCHEN EXHAUST FAN MOUNTING DETAIL



2 JET FAN CONNECTION DETAIL



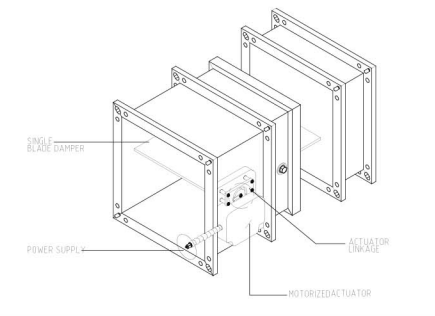
3 CONTINUOUS AIR GRILLE DETAIL



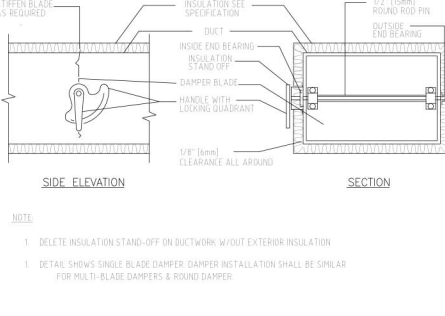
4 HIGH PRESSURE BRANCH DUCT CONNECTIONS (UP TO 6" SP)

METAL GAUGE GALVANIZED STEEL	DUCT DIM. W (mm)	CONSTRUCTION	SPACING (mm)	TRANSVERSE BRACING	HANGERS		
					ROD DIA. mm	SHELF ANGLE (mm)	MAX. SPACING (mm)
26	UP THRU 300	25mm POCKET LOCK HEMMED "S" SLIP DRIVE SLIP (VERTICAL ONLY)	2400	NONE	10	40x40 x3mm	2400
	315 THRU 450						
24	475 THRU 750	25mm POCKET LOCK HEMMED "S" SLIP 25mm BAR SLIP	2400	25x25x3mm ANGLE CENTERED BETWEEN JOINTS	10	25x3mm STRAP	1800
22	1075 THRU 1500	40mm POCKET LOCK 40mm STANDING "S" SLIP 40mm REINFORCED BAR SLIP	1200	NONE OR CROSS BREAK	10	40x40 x3mm	1800
20	1575 THRU 1500	40mm REINFORCED BAR SLIP 40mm STANDING "S" SLIP 40mm ANGLE REINFORCED POCKET LOCK	2400	40x40x3mm ANGLE CENTERED BETWEEN JOINTS	10	50x50x5mm EQUIVALENT CHANNEL	2400
18	2100 THRU 2400	40mm REINFORCED BAR SLIP 40mm ANGLE REINFORCED POCKET LOCK 40mm COMPANION ANGLES	1200	40x40x5mm ANGLE CENTERED BETWEEN JOINTS	10	50x50x5mm	2400
		50mm ANGLE REINFORCED POCKET LOCK 50mm COMPANION ANGLES	2400	50x50x5mm ANGLE CENTERED BETWEEN JOINTS	12	75x75x6mm	3400

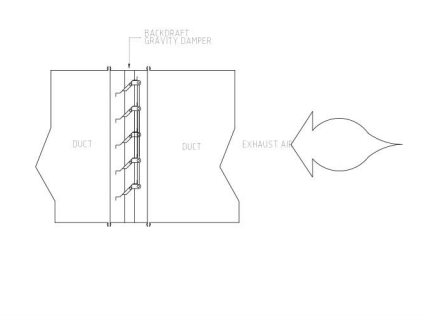
5 LOW PRESSURE GALVANIZED STEEL DUCT WORK SPECIFICATION TABLE



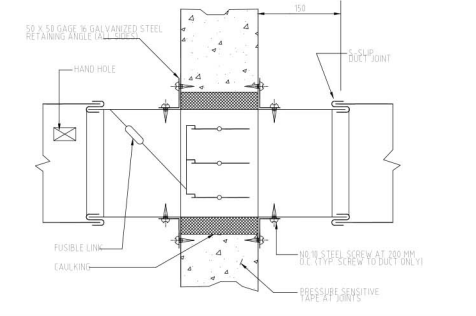
5 MOTORIZED VOLUME DAMPER



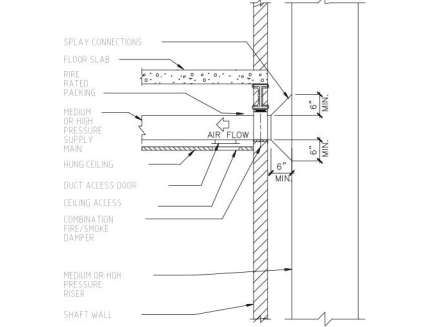
6 VOLUME DAMPER



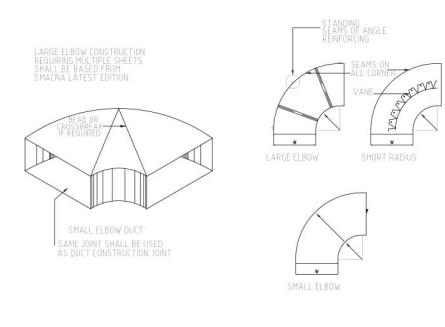
7 BACKDRAFT GRAVITY DAMPER DETAIL



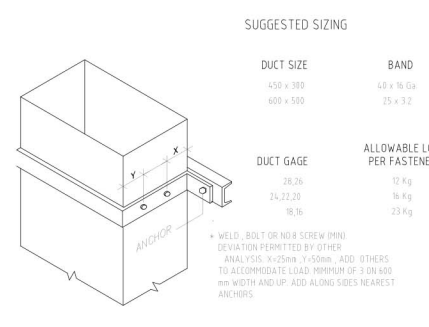
8 FIRE DAMPER DETAIL



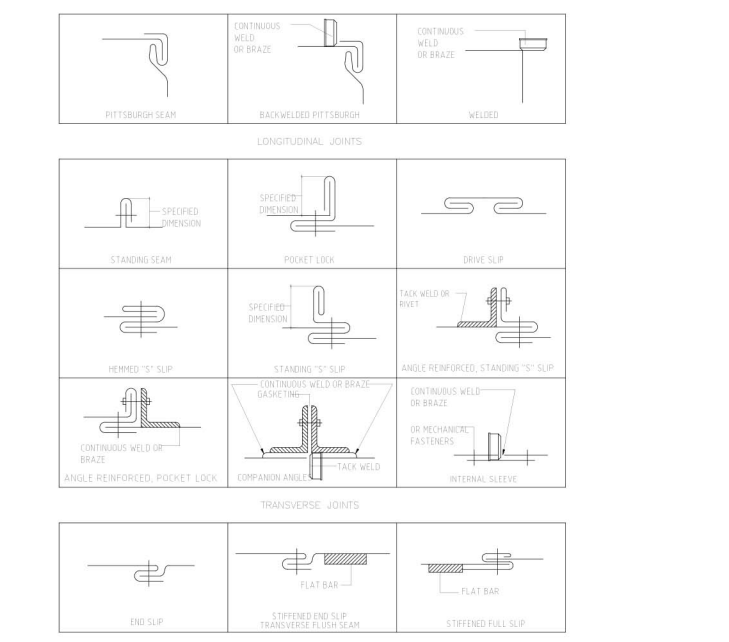
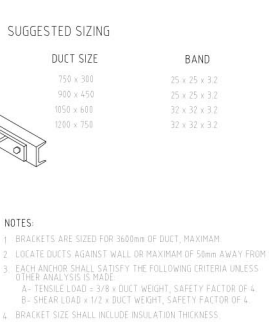
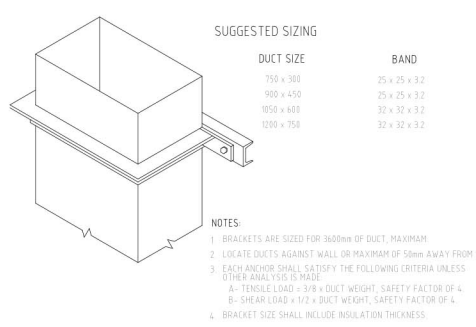
10 HIGH PRESSURE SUPPLY RISER DUCT CONNECTIONS



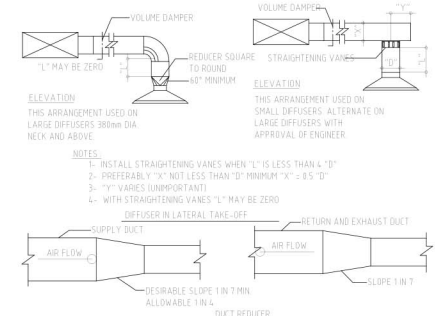
11 ELBOW LONG AND SHORT VENTILATION LAYOUT



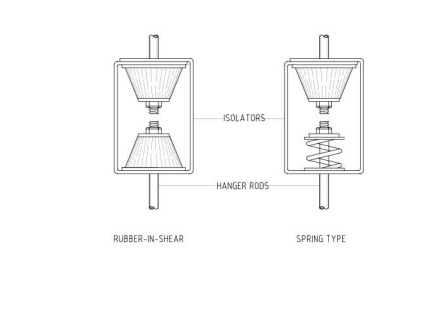
12 VERTICAL DUCT SUPPORT DETAIL



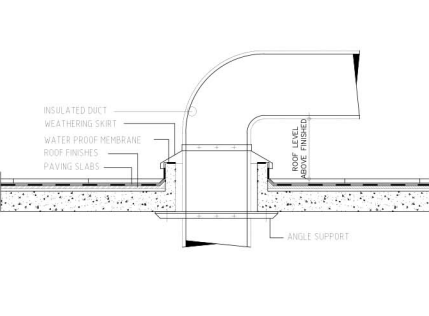
17 DUCTWORK JOINTS DETAILS



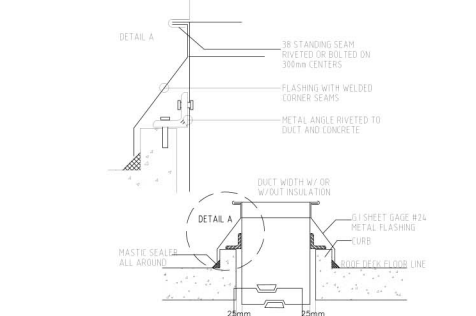
13 TYPICAL DUCT TAKE-OFFS (LOW PRESSURE)



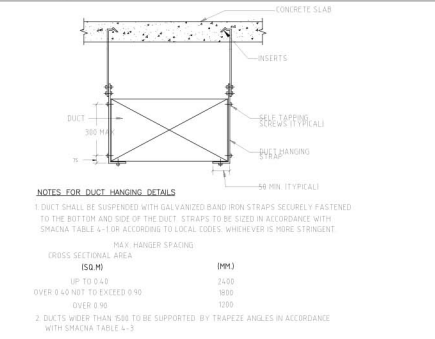
14 VIBRATION ISOLATORS HANGER DETAIL



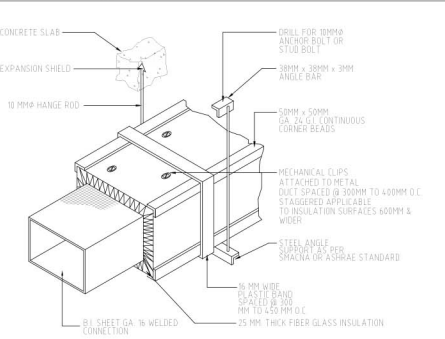
15 TYPICAL DUCT PENETRATION DETAIL-DUCT WORK



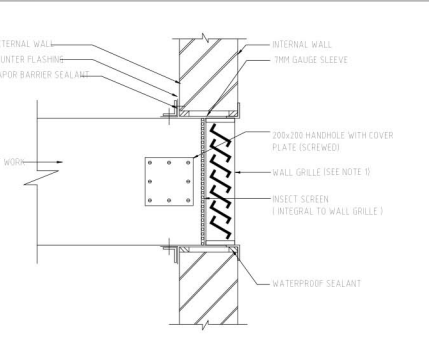
16 DUCT THRU DECK DETAIL



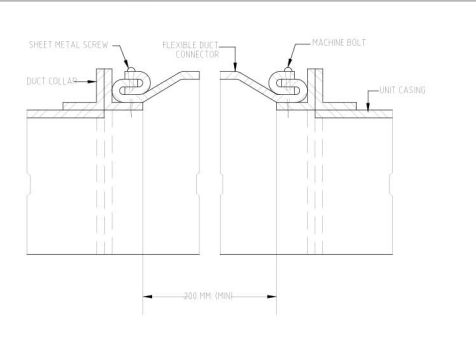
18 DUCT HANGER SUPPORT DETAIL



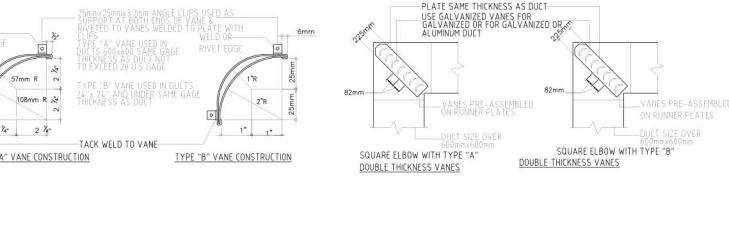
19 KITCHEN EXHAUST DUCT INSULATION / HANGER DETAIL



20 TYPICAL WALL PENETRATION DETAIL IN-TAKE & EXHAUST DUCT



21 MACHINE CONNECTION DETAIL



22 SQUARE DUCT ELBOW DETAIL

NOTE:
PURSUANT TO SECTION 4 OF ANNEX "A" OF THE REVISED IMPLEMENTING RULES AND REGULATIONS OF R.A. 9164, APPROVAL BY THE AUTHORIZED DPWH OFFICIALS OF DETAILED ENGINEERING SURVEYS AND DESIGN UNDERTAKEN BY CONSULTANTS NEITHER DIMINISHES THE RESPONSIBILITY OF THE LATTER FOR THE TECHNICAL INTEGRITY OF THE SURVEYS AND DESIGN NOR TRANSFER ANY PART OF THAT RESPONSIBILITY TO THE APPROVING OFFICIALS.
THE DESIGN CONSULTANT SHALL BE HELD RESPONSIBLE FOR THE FAILURE OF THE FACILITIES / STRUCTURES DUE TO FALLY DESIGN EXCEPT FOR THE CHANGES MADE WITHOUT THE CONFORMITY OF THE CONSULTANTS.
DRAWINGS AND SPECIFICATIONS DULY SIGNED, STAMPED OR SEALED, AS INSTRUMENTS OF SERVICE ARE PROPERTY AND DOCUMENTS OF THE ARCHITECT, WHETHER THE OBJECT FOR WHICH THEY ARE MADE IS EXECUTED OR NOT. IT SHALL BE UNLAWFUL FOR ANY PERSON, WITHOUT THE WRITTEN CONSENT OF THE ARCHITECT OR AUTHOR OF SAID DOCUMENTS, TO DUPLICATE OR TO MAKE COPIES OF SAID DOCUMENTS FOR USE IN THE REPEITION OF AND FOR OTHER PROJECTS OR BUILDINGS, WHETHER EXECUTED PARTLY OR IN WHOLE.