

**FLOOR FINISH LEGEND :**

**NEW FINISHES**

F-1 BARE STRUCTURAL CONCRETE SLAB DEPRESSED 50mm TO RECEIVE TOPPING AND FINISH

F-2 600mm x 600mm CARPET TILES

F-3 600mm x 600mm x 8mm THK NON-SKID FLOOR TILE

F-4 600mm x 600mm x 8mm THK POLISHED FLOOR TILE

F-5 RUBBERIZED MAT FLOORING

F-6 SIMULATED WOOD TILES

F-7 600mm x 600mm x 10mm THK POLISHED GRANITE FLOOR TILE

**EXISTING FINISHES**

EX-01 POLYURETHANE-BASED EPOXY FLOOR COATING

EX-02 EPOXY TANK LINING

EX-03 CEMENT-BASED NON-SKID WAFFLE TILE

EX-04 WET-INSTALLED 20mm THK FLAMED GRANITE SLAB (PROVIDE SEALER)

EX-05 TROWEL FINISH WITH PENETRATING SEALER AND HARDENER

EX-06 600mm x 600mm x 8mm THK NON-SKID FLOOR TILE

EX-07 600mm x 600mm x 10mm THK POLISHED GRANITE FLOOR TILE

EX-08 600mm x 600mm x 8mm THK POLISHED FLOOR TILE

**CEILING FINISHES LEGEND :**

**NEW FINISHES**

C-1 LOW SHEEN ACRYLIC LATEX PAINT ON SMOOTH RUBBED FINISHED EXPOSED UNDERSIDE OF SLAB/BEAM

C-2 LOW SHEEN ACRYLIC LATEX PAINT ON 12mm THK MOISTURE RESISTANT GYPSUM BOARD ON METAL CEILING JOIST

C-3 600x600 REGULAR ACOUSTIC TILES ON POWDER COATED ALUMINUM T RUNNERS

C-4 POWDER COATED ALUMINUM PANELS ON CONCEALED ALUMINUM RUNNERS

C-5 12mm THK GYPSUM BOARD ON HPL METAL FIN. AND 6mm THK GRAPHICOTE GLASS PANELS ON POWDER COATED ALUMINUM FRAMING WITH 6mm THK ACRYLIC DIFFUSERS

C-6 LOW SHEEN ACRYLIC LATEX PAINT ON 12mm THK GYPSUM BOARD ON METAL CEILING JOIST

C-7 ALUMINUM COMPOSITE CEILING PANEL

C-8 LOW SHEEN ACRYLIC LATEX PAINT ON 12mm THK GYPSUM BOARD HEXAGONAL ACCENT DROP CEILING 120x120 DIA x 150mm THK ON METAL HANGERS

**EXISTING FINISHES**

EX-C-1 LOW SHEEN ACRYLIC LATEX PAINT ON SMOOTH RUBBED FINISHED EXPOSED UNDERSIDE OF SLAB/BEAM

EX-C-2 LOW SHEEN ACRYLIC LATEX PAINT ON 12mm THK MOISTURE RESISTANT GYPSUM BOARD ON METAL CEILING JOIST

EX-C-3 LOW SHEEN ACRYLIC LATEX PAINT ON 12mm THK GYPSUM BOARD ON METAL CEILING JOIST

**WALL FINISH LEGEND :**

**EXISTING FINISHES**

EX-W-1 SEMI-GLOSS LATEX PAINT FINISH

EX-W-2 300x600x25mm THK POLISHED HOMOGENOUS WALL TILE

EX-W-3 EPOXY LINING

EX-W-4 LIQUID-APPLIED ELASTOMERIC WALL COATING

EX-W-5 PAINTED FINISH WITH TRAFFIC STRIPE PATTERN

**NEW FINISHES**

WF-1 SEMI-GLOSS LATEX PAINT FINISH

WF-2 300x600x25mm THK POLISHED HOMOGENOUS WALL TILE

WF-3 SKIM COAT WALL COATING FINISH

WF-4 ACOUSTIC PADDING

WF-5 4mm THK. COLOR COATED GLASS

WF-6 WOOD VENEER (VERIFY DESIGN ON DETAILS)

**PARTITION TYPE LEGEND :**

**EXISTING PARTITION**

EXP-1 125mm THK. CAST-IN-PLACE CONCRETE EXTERIOR WALL

EXP-2 REINFORCED STRUCTURAL CONCRETE WALL

EXP-3 150mm THK. CHB 2HR FIRE RATED (FLOOR TO BOTTOM SLAB/BEAM) PLASTERED AND FINISH AS PER WALL FINISHED SCHEDULE

EXP-4 75mm THK. CHB (FLOOR TO BOTTOM SLAB/BEAM) PLASTERED AND FINISH AS PER WALL FINISHED SCHEDULE

**NEW PARTITION**

P-1 150mm THK. CHB (FLOOR TO BOTTOM SLAB/BEAM) PLASTERED AND FINISH AS PER WALL FINISHED SCHEDULE

P-2 100mm THK. FULL HT DRY WALL PARTITION w/ 2HR FIRE RATING, GYPSUM BOARD ON METAL FURRING PLASTERED AND FINISHED AS PER WALL FINISH SCHED.

P-3 100mm THK. 1.8m HT DRY WALL PARTITION w/ 2HR FIRE RATING, GYPSUM BOARD ON METAL FURRING PLASTERED AND FINISHED AS PER WALL FINISH SCHED.

P-4 100mm THK. DRY WALL GLAZINGS IN 200MM ABOVE FINISH FLOOR LINE (SEE INTERIOR DETAILS)

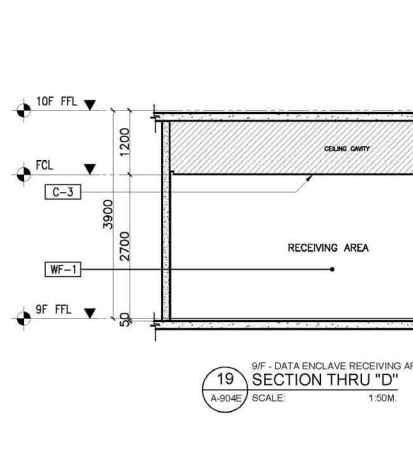
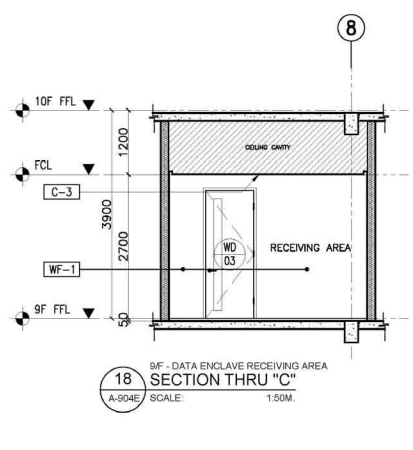
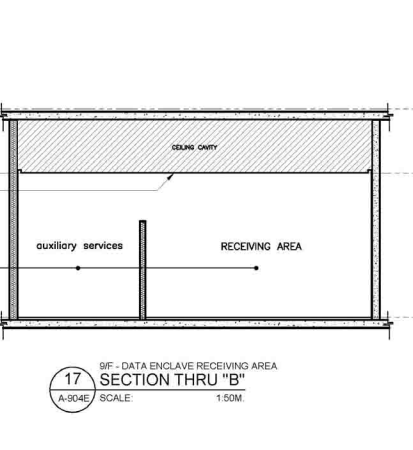
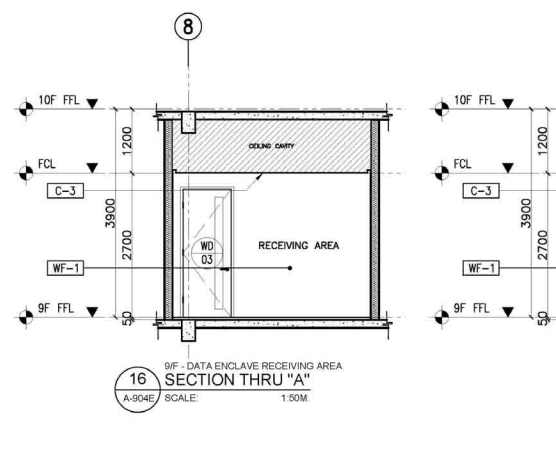
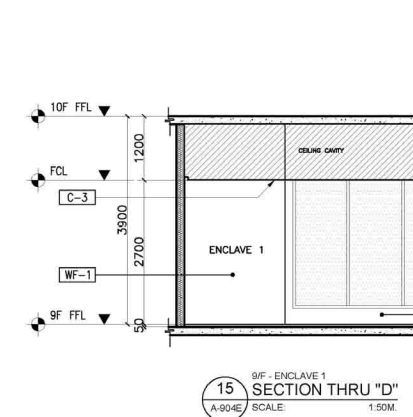
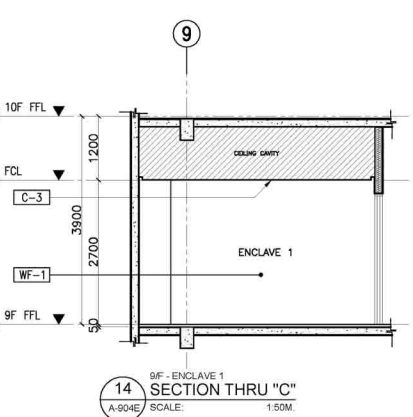
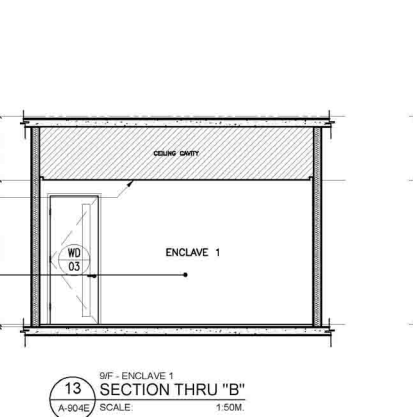
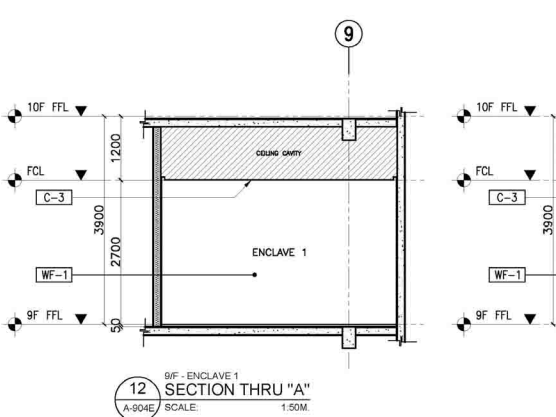
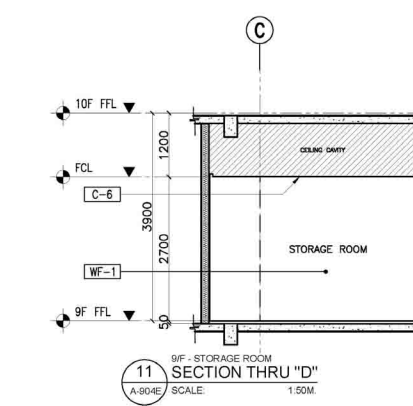
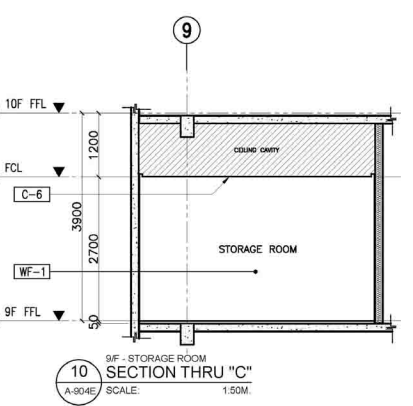
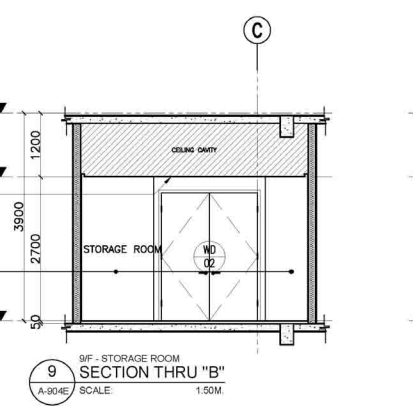
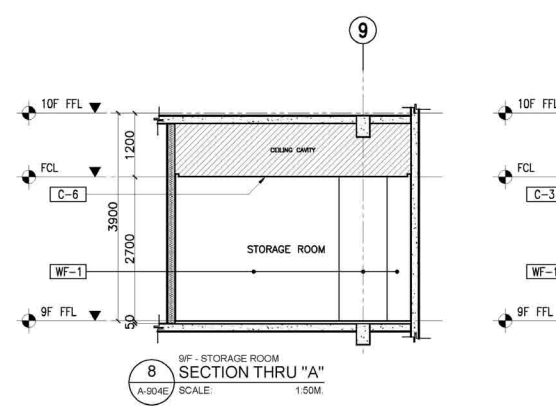
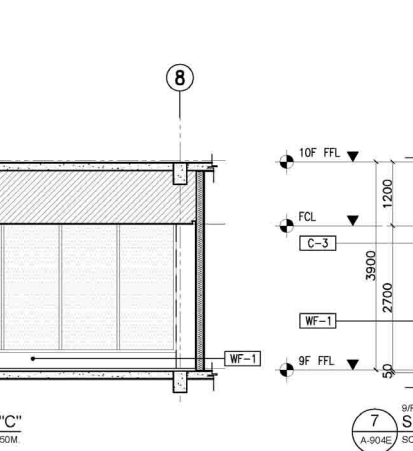
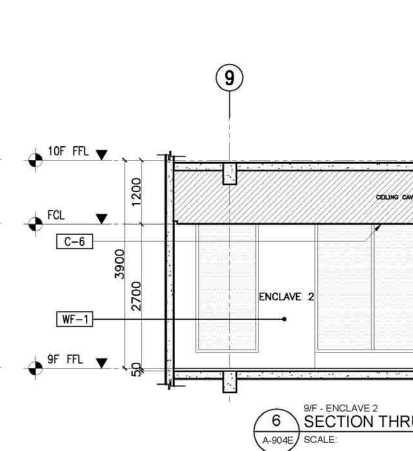
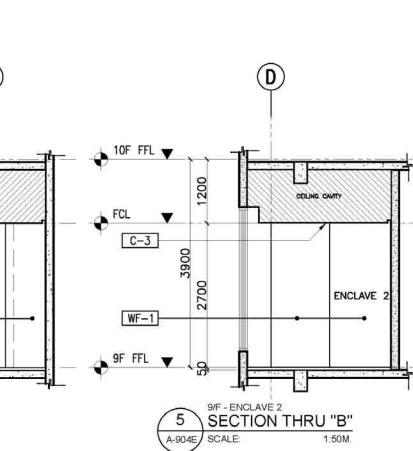
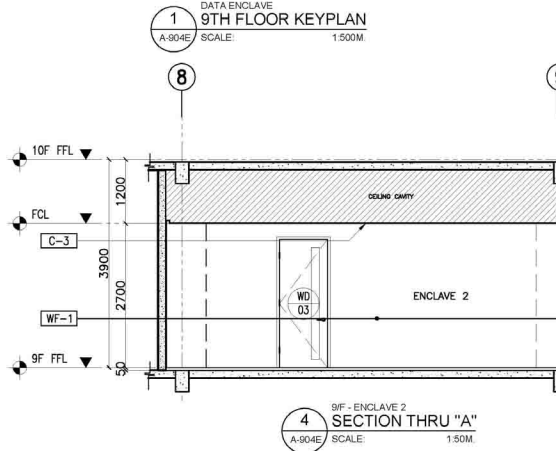
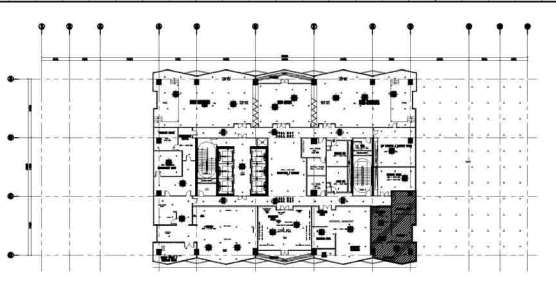
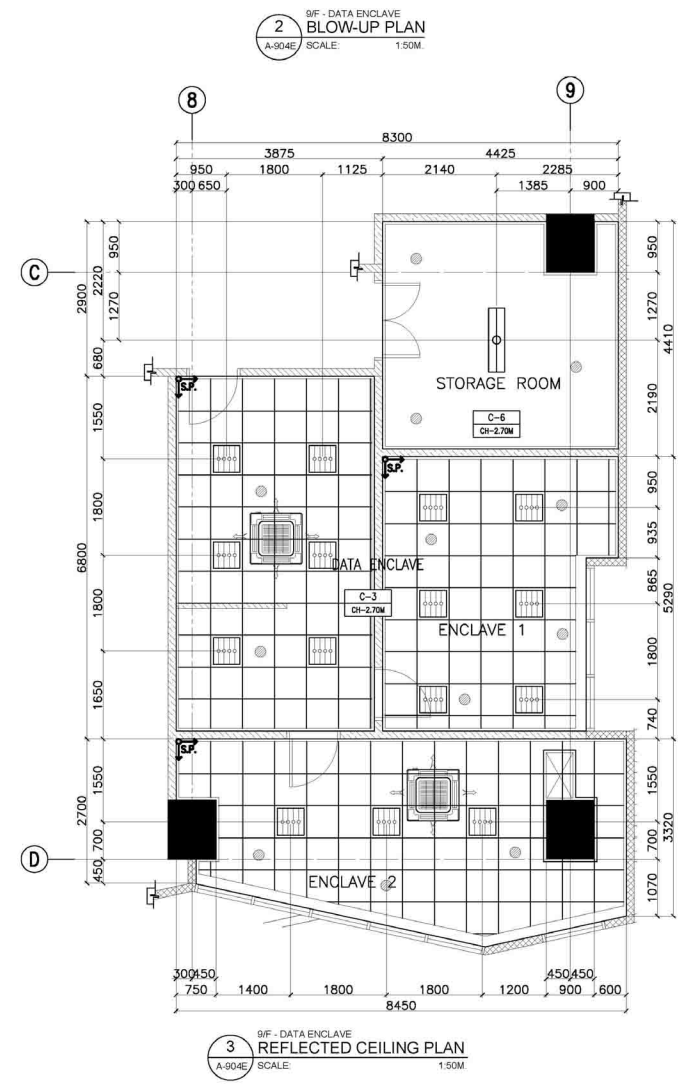
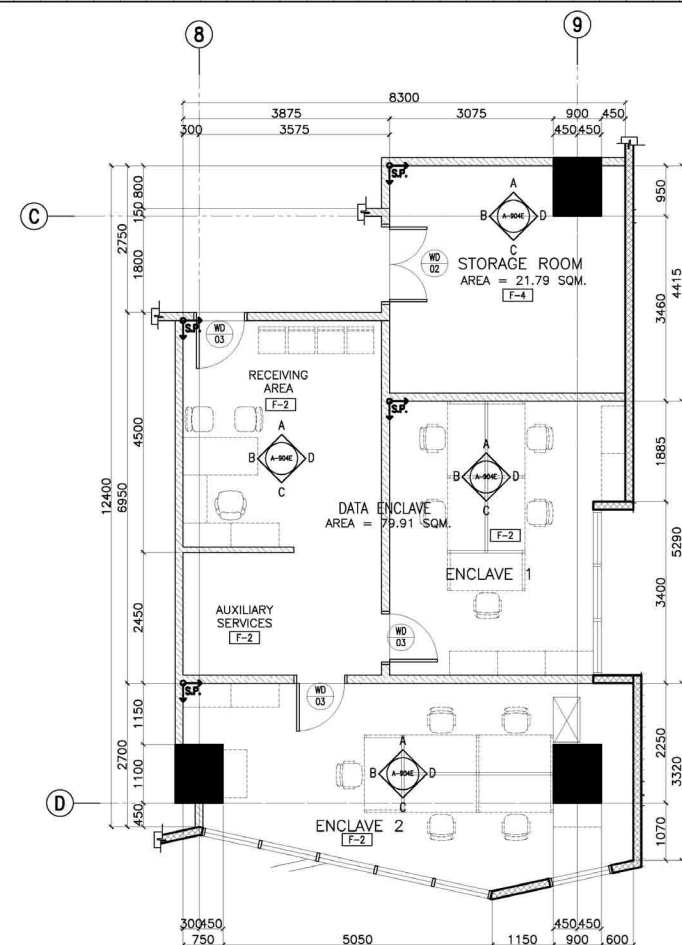
P-5 12mm THK CLEAR SEMI-FRAMELESS FULL HT TEMPERED GLASS WALL PARTITION w/ MID-HT FROSTED STICKER BAND

**NOTE:**

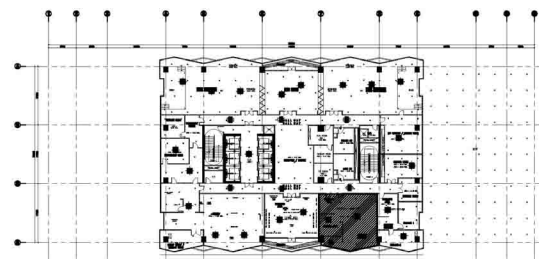
PURSUANT TO SECTION 4 OF ANNEX "A" OF THE REVISED IMPLEMENTING RULES AND REGULATIONS OF R.A. 9164, APPROVAL BY THE AUTHORIZED DPWH OFFICIALS OF DETAILED ENGINEERING SURVEYS AND DESIGN UNDERTAKEN BY CONSULTANTS NEITHER TRANSFERS THE RESPONSIBILITY OF THE LATTER FOR THE TECHNICAL INTEGRITY OF THE SURVEYS AND DESIGN NOR TRANSFER ANY PART OF THAT RESPONSIBILITY TO THE APPROVING OFFICIALS.

THE DESIGN CONSULTANT SHALL BE HELD RESPONSIBLE FOR THE FAILURE OF THE FACILITY/IES / STRUCTURES DUE TO FAULTY DESIGN EXCEPT FOR THE CHANGES MADE WITHOUT THE CONFORMITY OF THE CONSULTANTS.

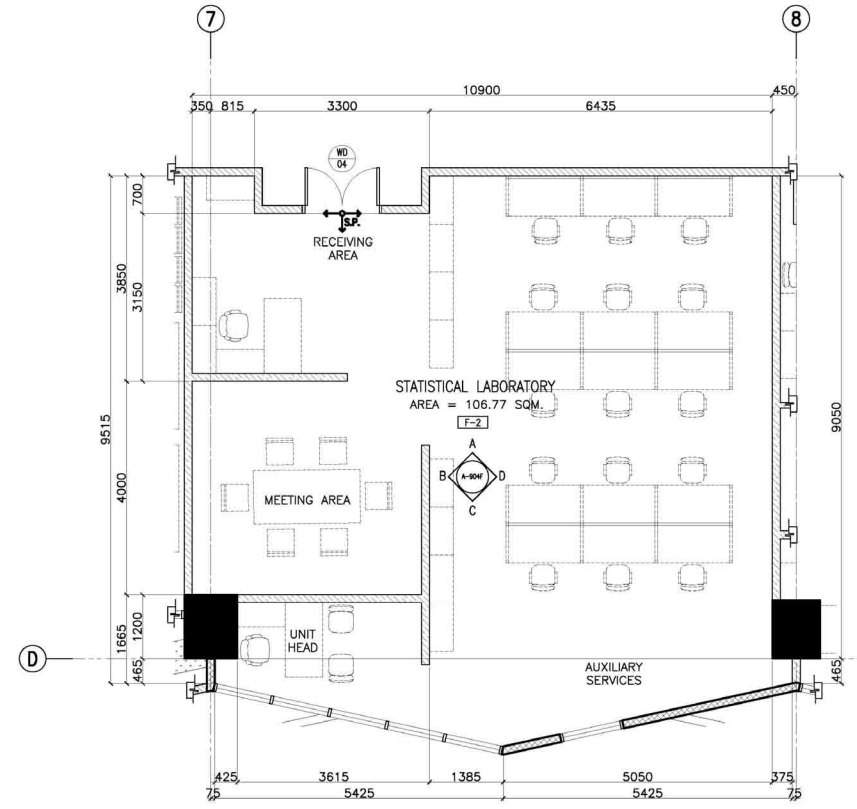
DRAWINGS AND SPECIFICATIONS DULY SIGNED, STAMPED OR SEALED, AS INSTRUMENTS OF SERVICE, ARE PROPERTY AND DOCUMENTS OF THE ARCHITECT, WHETHER THE OBJECT FOR WHICH THEY ARE MADE IS EXECUTED OR NOT. IT SHALL BE UNLAWFUL FOR ANY PERSON, WITHOUT THE WRITTEN CONSENT OF THE ARCHITECT OR AUTHOR OF SAID DOCUMENTS, TO DUPLICATE OR TO MAKE COPIES OF SAID DOCUMENTS FOR USE IN THE REPEITION OF AND FOR OTHER PROJECTS OR BUILDINGS, WHETHER EXECUTED PARTLY OR IN WHOLE.



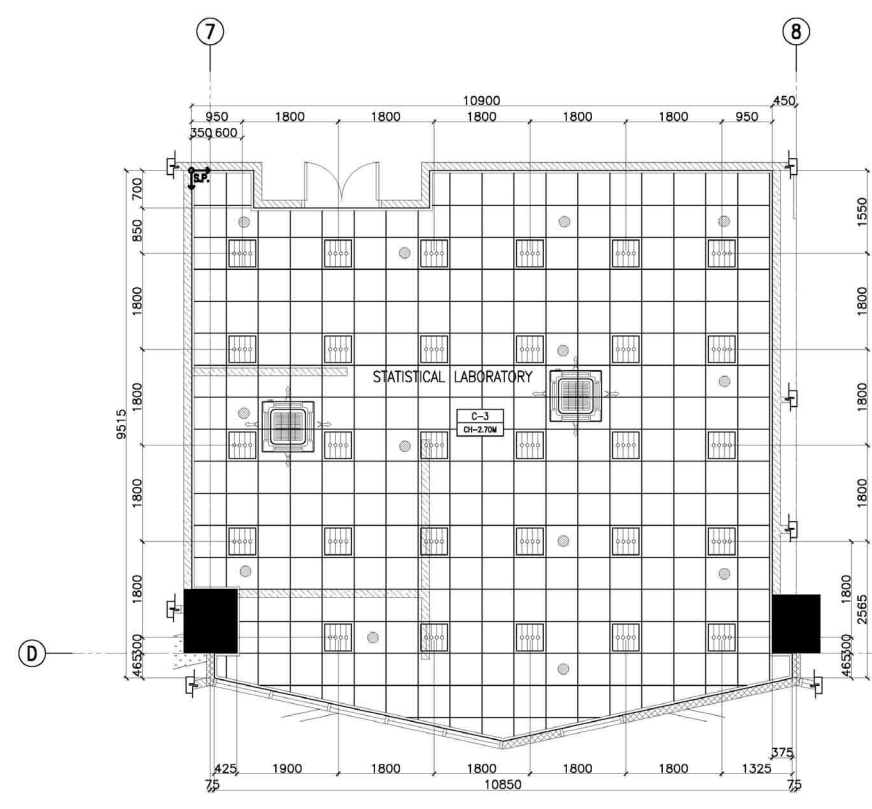
FLOOR FINISH LEGEND :	
<b>NEW FINISHES</b>	
F-1	BARE STRUCTURAL CONCRETE SLAB DERESSED 50mm TO RECEIVE TOPPING AND FINISH
F-2	600mm x 600mm CARPET TILES
F-3	600mm x 600mm x 8mm THK NON-SKID FLOOR TILE
F-4	600mm x 600mm x 8mm THK POLISHED FLOOR TILE
F-5	RUBBERIZED MAT FLOORING
F-6	SIMULATED WOOD TILES
F-7	600mm x 600mm x 10mm THK POLISHED GRANITE FLOOR TILE
<b>EXISTING FINISHES</b>	
EX-01	POLYURETHANE-BASED EPOXY FLOOR COATING
EX-02	EPOXY TANK LINING
EX-03	CEMENT-BASED NON-SKID WAFFLE TILE
EX-04	WET-INSTALLED 20mm THK FLAMED GRANITE SLAB (PROVIDE SEALER)
EX-05	TROWEL FINISH WITH PENETRATING SEALER AND HARDENER
EX-06	600mm x 600mm x 8mm THK NON-SKID FLOOR TILE
EX-07	600mm x 600mm x 10mm THK POLISHED GRANITE FLOOR TILE
EX-08	600mm x 600mm x 8mm THK POLISHED FLOOR TILE
CEILING FINISHES LEGEND :	
<b>NEW FINISHES</b>	
C-1	LOW SHEEN ACRYLIC LATEX PAINT ON SMOOTH RUBBED FINISHED EXPOSED UNDERSIDE OF SLAB/BEAM
C-2	LOW SHEEN ACRYLIC LATEX PAINT ON 12mm THK MOISTURE RESISTANT GYPSUM BOARD ON METAL CEILING JOIST
C-3	600x600 REGULAR ACOUSTIC TILES ON POWDER COATED ALUMINUM T RUNNERS
C-4	POWDER COATED ALUMINUM PANELS ON CONCEALED ALUMINUM RUNNERS
C-5	12mm THK GYPSUM BOARD IN HPL METAL FIN. AND 6mm THK GRAPHICOTE GLASS PANELS ON POWDER COATED ALUMINUM FRAMING WITH 6mm THK ACRYLIC DIFFUSERS
C-6	LOW SHEEN ACRYLIC LATEX PAINT ON 12mm THK GYPSUM BOARD ON METAL CEILING JOIST
C-7	ALUMINUM COMPOSITE CEILING PANEL
C-8	LOW SHEEN ACRYLIC LATEX PAINT ON 12mm THK GYPSUM BOARD HEXAGONAL ACCENT DROP CEILING 1.2m DIA x 150mm THK ON METAL HANGERS
<b>EXISTING FINISHES</b>	
EX-C1	LOW SHEEN ACRYLIC LATEX PAINT ON SMOOTH RUBBED FINISHED EXPOSED UNDERSIDE OF SLAB/BEAM
EX-C2	LOW SHEEN ACRYLIC LATEX PAINT ON 12mm THK MOISTURE RESISTANT GYPSUM BOARD ON METAL CEILING JOIST
EX-C3	LOW SHEEN ACRYLIC LATEX PAINT ON 12mm THK GYPSUM BOARD ON METAL CEILING JOIST
WALL FINISH LEGEND :	
<b>EXISTING FINISHES</b>	
EXW-1	SEMI-GLOSS LATEX PAINT FINISH
EXW-2	300x600x25mm THK POLISHED HOMOGENOUS WALL TILE
EXW-3	EPOXY LINING
EXW-4	LIQUID-APPLIED ELASTOMERIC WALL COATING
EXW-5	PAINTED FINISH WITH TRAFFIC STRIPE PATTERN
<b>NEW FINISHES</b>	
WF-1	SEMI-GLOSS LATEX PAINT FINISH
WF-2	300x600x25mm THK POLISHED HOMOGENOUS WALL TILE
WF-3	SKIM COAT WALL COATING FINISH
WF-4	ACOUSTIC PADDING
WF-5	4mm THK COLOR COATED GLASS
WF-6	WOOD VENEER (VERIFY DESIGN ON DETAILS)
PARTITION TYPE LEGEND :	
<b>EXISTING PARTITION</b>	
EXP-1	125mm THK CAST-IN-PLACE CONCRETE EXTERIOR WALL
EXP-2	REINFORCED STRUCTURAL CONCRETE WALL
EXP-3	150mm THK CHB (FLOOR TO BOTTOM SLAB/BEAM) PLASTERED AND FINISH AS PER WALL FINISHED SCHEDULE
EXP-4	150mm THK CHB (FLOOR TO BOTTOM SLAB/BEAM) PLASTERED AND FINISH AS PER WALL FINISHED SCHEDULE
<b>NEW PARTITION</b>	
P-1	150mm THK CHB (FLOOR TO BOTTOM SLAB/BEAM) PLASTERED AND FINISH AS PER WALL FINISHED SCHEDULE
P-2	100mm THK FULL HT DRY WALL PARTITION w/ 2HR FIRE RATING, GYPSUM BOARD ON METAL FURRING PLASTERED AND FINISHED AS PER WALL FINISH SCHED.
P-3	100mm THK 1.8m HT DRY WALL PARTITION w/ 2HR FIRE RATING, GYPSUM BOARD ON METAL FURRING PLASTERED AND FINISHED AS PER WALL FINISH SCHED.
P-4	100mm THK DRY WALL GLAZING IN 200MM ABOVE FINISH FLOOR LINE (SEE INTERIOR DETAILS)
P-5	12mm THK CLEAR SEMI-FRAMELESS FULL HT TEMPERED GLASS WALL PARTITION w/ MID-HT FROSTED STICKER BAND
<b>NOTE:</b>	
PURSUANT TO SECTION 4 OF ANNEX "A" OF THE REVISED IMPLEMENTING RULES AND REGULATIONS OF R.A. 9174, APPROVAL BY THE AUTHORIZED DPWH OFFICIALS OF DETAILED ENGINEERING SURVEYS AND DESIGN UNDERTAKEN BY CONSULTANTS NEITHER CHANGES THE RESPONSIBILITY OF THE LATTER FOR THE TECHNICAL INTEGRITY OF THE SURVEYS AND DESIGN NOR TRANSFER ANY PART OF THIS RESPONSIBILITY TO THE APPROVING OFFICIALS.	
THE DESIGN CONSULTANT SHALL BE HELD RESPONSIBLE FOR THE FAILURE OF THE FACILITY/ES / STRUCTURES DUE TO FAULTY DESIGN EXCEPT FOR THE CHANGES MADE WITHOUT THE CONFORMITY OF THE CONSULTANTS.	
DRAWINGS AND SPECIFICATIONS DULY SIGNED, STAMPED OR SEALED AS INSTRUMENTS OF SERVICE ARE PROPERTY AND DOCUMENTS OF THE ARCHITECT, WHETHER THE OBJECT FOR WHICH THEY ARE MADE IS EXECUTED OR NOT. IT SHALL BE UNLAWFUL FOR ANY PERSON, WITHOUT THE WRITTEN CONSENT OF THE ARCHITECT OR AUTHOR OF SAID DOCUMENTS, TO DUPLICATE OR TO MAKE COPIES OF SAID DOCUMENTS FOR USE IN THE REPEITION OF AND FOR OTHER PROJECTS OR BUILDINGS, WHETHER EXECUTED PARTLY OR IN WHOLE.	



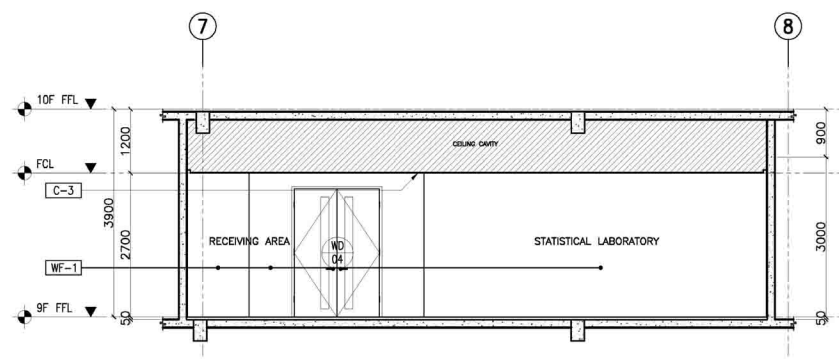
1 STATISTICAL LABORATORY 9TH FLOOR KEYPLAN  
A-904F SCALE: 1:500M



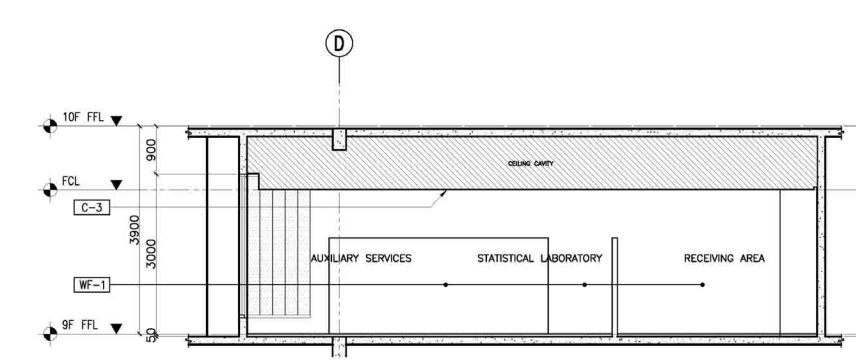
2 9F - STATISTICAL LABORATORY BLOW-UP PLAN  
A-904F SCALE: 1:50M



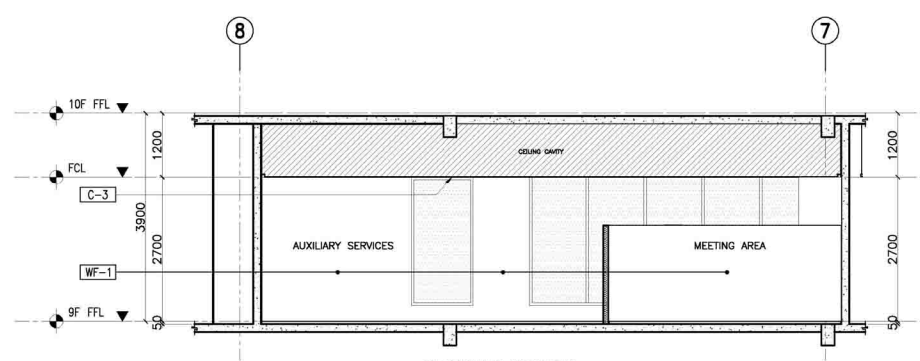
3 9F - STATISTICAL LABORATORY REFLECTED CEILING PLAN  
A-904F SCALE: 1:50M



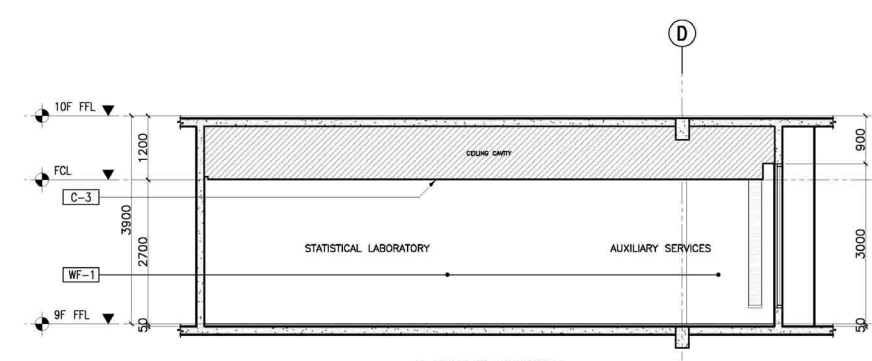
4 9F - STATISTICAL LABORATORY SECTION THRU "A"  
A-904F SCALE: 1:50M



5 9F - STATISTICAL LABORATORY SECTION THRU "B"  
A-904F SCALE: 1:50M



6 9F - STATISTICAL LABORATORY SECTION THRU "C"  
A-904F SCALE: 1:50M



7 9F - STATISTICAL LABORATORY SECTION THRU "D"  
A-904F SCALE: 1:50M

		CONSULTANT:	CHECKED:	REVIEWED:	RECOMMENDING APPROVAL:	APPROVED:	PROJECT:	SHEET CONTENT:	DESIGNER:	REVISIONS:	SHEET NO.			
		ENRIQUE O. OLANAN	JOSE MANUEL AGUILARDO	ATTY. JOHNSON V. DOMINADO	REYNOR B. IMPERIAL	LEO B. MALAGAAR	USBC CLAIR DENNIS S. MAPA, PH. D.	CONSTRUCTION OF FIT-OUT AND LANDSCAPE WORKS FOR THE TWENTY-THREE (23) STOREY PHILIPPINE STATISTICS AUTHORITY (PSA) OFFICE BUILDING WITH COVERED ROOF DECK	9TH FLOOR DETAILS	E. OLANAN	SYMBOL	REMARK	DATE	
Lot 35, Rodriguez Drive, Rodriguez Subdivision, Quezon City Tel No. (832) 8861-8559 Email: tolo@enriconline.com		Suite 205, Silverville Square Condominium, Ave. 38, Silverville Ave., Lloyd Heights, Quezon City Tel No. (832) 8861-8559 Email: eolanan@enriconline.com		Building & Special Projects Management Cluster Unified Project Management Office, DPWH		Director Assistant National Statistician Deputy National Statistician Finance and Administrative Service Head, PSA-BOON		National Statistician and Civil Registrar General Philippine Statistics Authority		Designer CAD Checked Date		E. OLANAN AET / ADI RIB / AET MAY 2021		A-904F